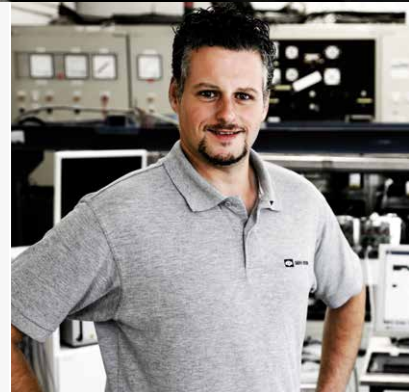
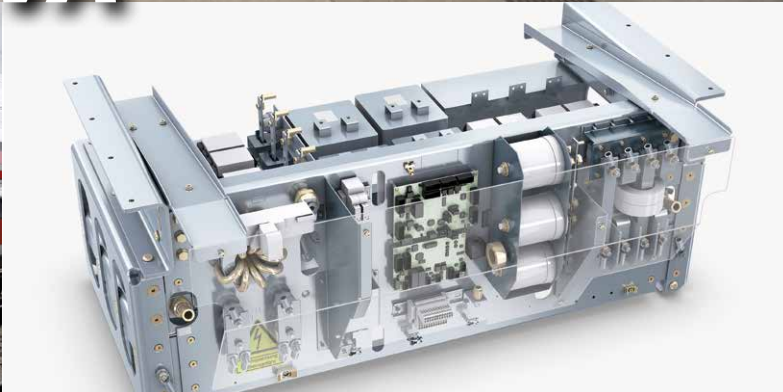


# Auxiliary power supply 160 kVA



- Auxiliary power supply for supplying an AC grid in a rail vehicle
- Wide input voltage range: Supply from the traction intermediate circuit DC 1800 V DC or from 3rd rail 1200 V DC
- High output power of 160 kVA with compact design
- Liquid cooling: efficient and optimal use of space
- Bus connection via Ethernet and MVB
- High level of serviceability thanks to easy accessibility of the power modules

**Reference: Electrical multiple unit type ET490 of S-Bahn Hamburg,  
DB German Railways, Germany**



**POWERTECH**

# TECHNICAL DATA

TYPE: UF1725\_160WU

## ELECTRICS

### DC Input

Rated voltage	1200 / 1800 V DC
---------------	------------------

Operation range	800 - 2050 V DC
-----------------	-----------------

### AC Output

Rated voltage	3 x 400 V AC $\pm$ 5%
---------------	-----------------------

Frequency	50 Hz $\pm$ 2% with U/f start
-----------	-------------------------------

Rated power	160 kVA, $\cos \varphi = 0.98$
-------------	--------------------------------

THD	< 5%
-----	------

Overall efficiency	$\geq$ 92%
--------------------	------------

## MECHANICS

Dimensions (length x width x height)	1200 x 550 x 500 mm
--------------------------------------	---------------------

Weight	340 kg
--------	--------

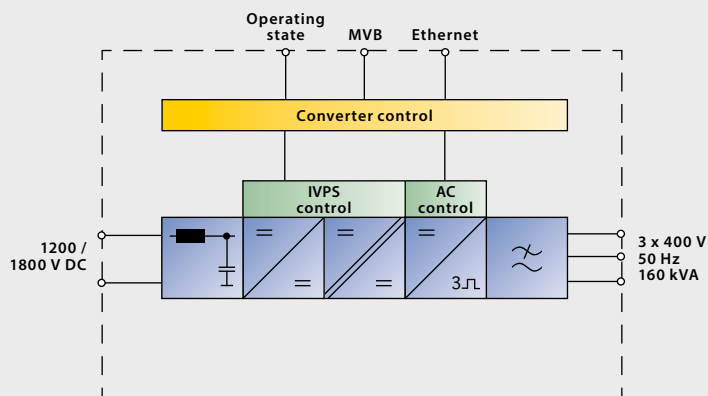
Mounting position	Container under-floor
-------------------	-----------------------

Cooling	Liquid cooling
---------	----------------

Protection	IP00
------------	------

Temperature range	-25 ... +70 °C
-------------------	----------------

## BLOCK DIAGRAM



### Knorr-Bremse Powertech GmbH

Am Borsigturm 100  
13507 Berlin, Germany  
Tel.: +49 30 297725 0  
info.berlin@kb-powertech.com

### Knorr-Bremse Powertech GmbH & Co. KG

Ohmstraße 1  
83607 Holzkirchen, Germany  
Tel.: +49 8024 990 0  
info.holzkirchen@kb-powertech.com

### Knorr-Bremse Powertech Corp. USA

300 International Drive, Suite 2  
Mount Olive, New Jersey 07828, USA  
Tel.: +1 973 527 6060  
info.usa@kb-powertech.com

### Knorr-Bremse Powertech China

Building 4, Jingxi Industry Park  
2 Jingui Road, Hudai Town, Binhu District  
214161 Wuxi, Jiangsu Province, PR China  
Tel.: +86 510 6888 0513  
info.china@kb-powertech.com

sales@kb-powertech.com  
WWW.KB-POWERTECH.COM  
WWW.KNORR-BREMSE.COM